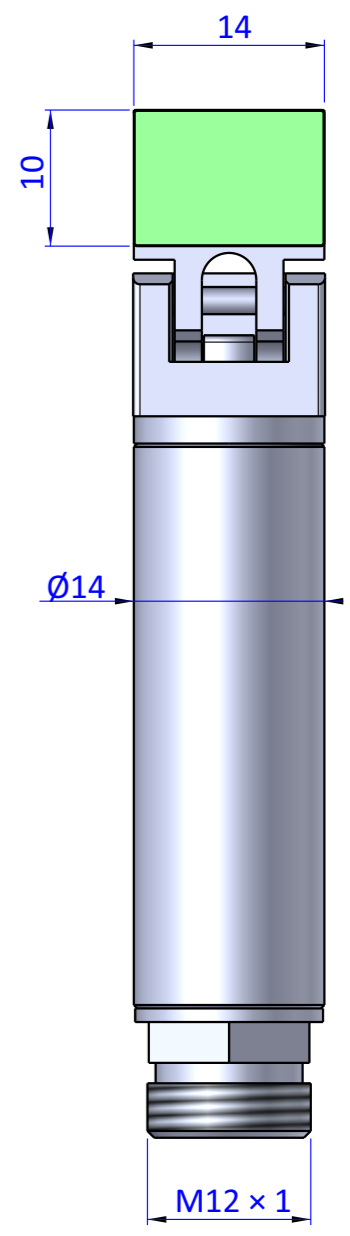
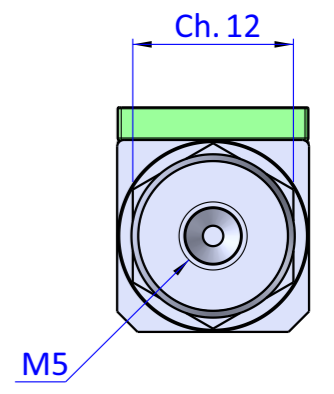
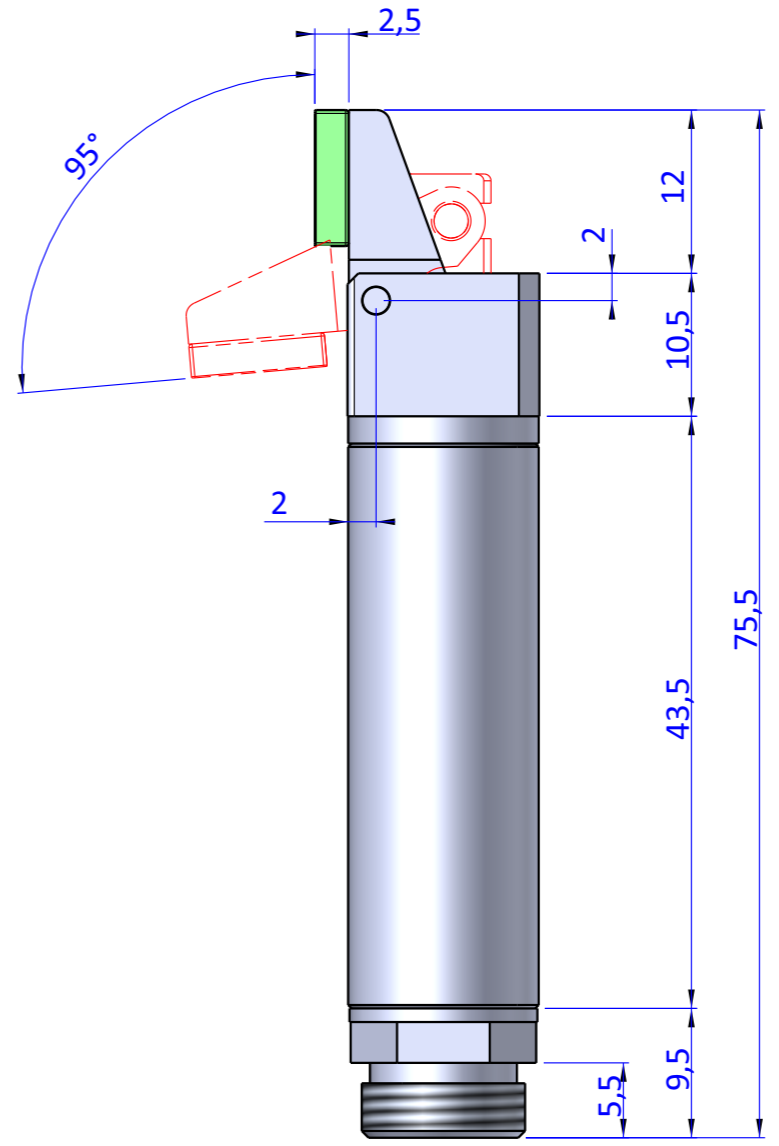
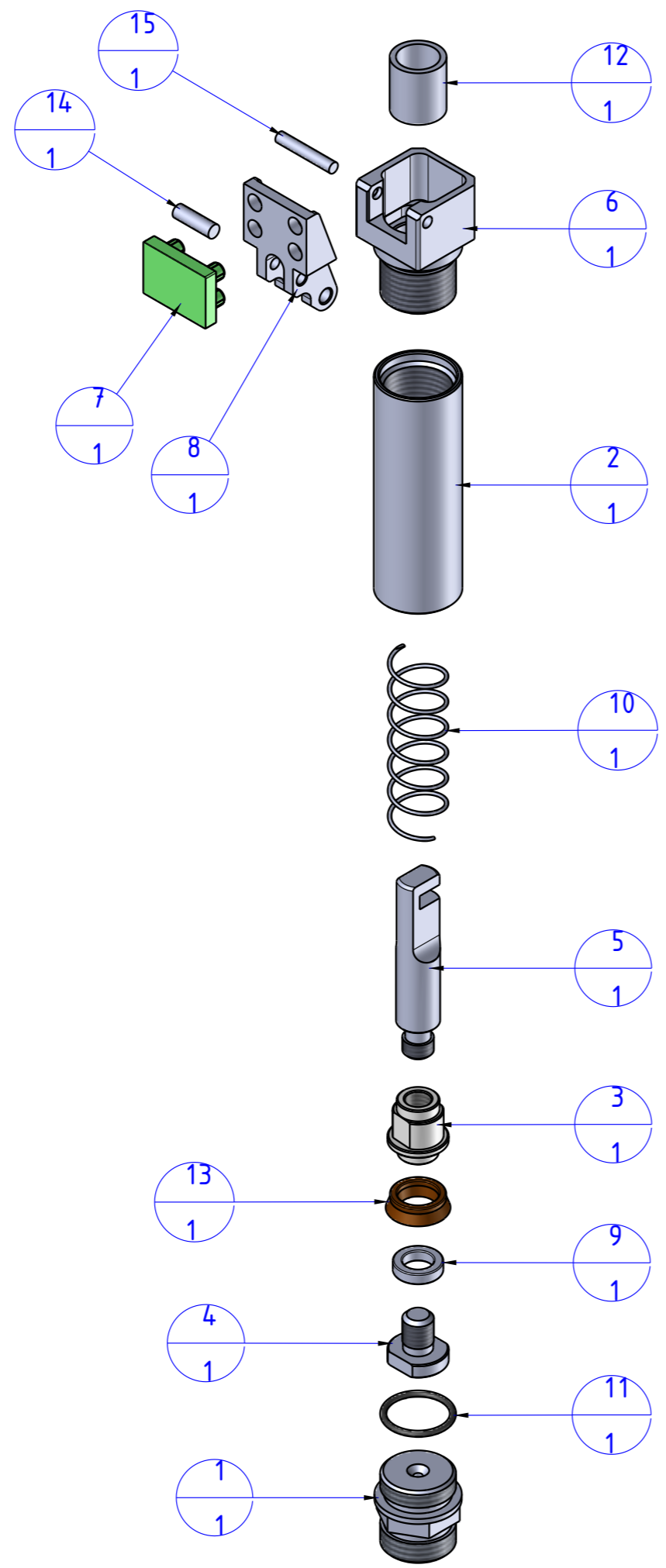



THE PROPERTY OF THE DRAWING IS ESTABLISHED BY LAW. IT IS FORBIDDEN TO PRODUCE OR SHOW IT TO THIRD PART. WITHOUT A WRITTEN AGREEMENT.

Item	Name	Q.ty
1	GRF14.95.01	1
2	GRF14.95.02	1
3	GRF14.95.03	1
4	GRF14.95.03.2	1
5	GRF14.95.04	1
6	GRF14.95.05	1
7	GRF14.95.08.V	1
8	GRF14.95.09	1
9	GRF14.95.10	1
10	M.10X32A	1
11	ORM.0100.10	1
12	PAP.070910	1
13	PSP.100603	1
14	SP.2,5x08M6	1
15	SP.2x12M6	1



Format A3
UNI 936-76

 FPS FPSERVICES AUTOMATION		DESIGNED FROM		REVIEW
		FPS Automation		A
GENERAL TOLERANCE		DATE	WEIGHT	
UNI - ISO 2768		03/03/2021	0,028kg	
CLASSE f		DESCRIPTION	CODE	
		CA.GRF.1495.GW	CA.GRF.1495.GW	